

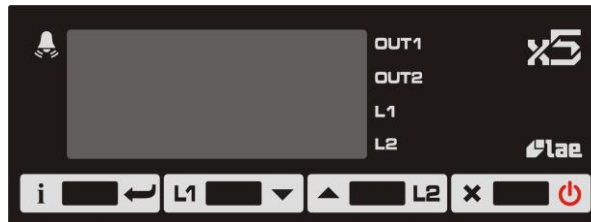
PTPRR1T Controller Conversion Details from LTW15, MTW12 & LTW12 Controllers to AC1-5TSRW-A with SN4 Probe (16230260)

**When installing this kit, all existing or fitted controller parts must be replaced with the new parts provided, these are NOT interchangeable.
This should only be carried out by a competent refrigeration engineer.**


Identifying your currently fitted controller by age:

- MTW12T9RDS/2 was used up until October 2003
- LTW12T2RD was used as of October 2003 till May 2004
- LTW15I2RD-B was used as of May 2004

All of the above have been replaced as of April 2015 by AC1-5TS2RW-A.



Indicators and Buttons

| Buttons | Use | Indicator | Reason |
|-------------|------------------------------|---|----------------------------------|
| i ← | Info/ Enter | OUT1 | Channel 1 Output |
| L1 ▼ | Modify Set point 1/ Decrease | OUT2 | Channel 2 Output |
| ▲ L2 | Increase/ Modify Set point 2 | L1 | Channel 1 Set point Modification |
| X ⏻ | Exit/ Stand-BY | L2 | Channel 2 Set point Modification |
| | |  | Alarm |

Display & Menu Information

During normal operation, the display shows either the temperature measured or one of the following indications:

| Symbol | Reason | Symbol | Reason |
|------------|--------------------------------|------------|------------------------------|
| <i>off</i> | Controller in stand-by | <i>thi</i> | Maximum Temperature Recorded |
| <i>or</i> | Probe T1 Over Range or Failure | <i>tlo</i> | Minimum Temperature Recorded |
| <i>hi</i> | Room high temperature alarm | <i>Loc</i> | Keypad State |
| <i>Lo</i> | Room low temperature alarm | | |

Access to the Menu

- Press and release **i**
- With button ▲ or ▼ select the data to display
- Press **i** to display the value
- To exit from the menu press **X** or wait 10 seconds

Reset THI, TLO Recordings

- With button ▲ or ▼ select the data to be reset
- Press **i** to display the value
- While keeping **i** pressed press **X**

Keypad Lock

The keypad lock avoids undesired operations. Ensure that $LOC = \text{Yes}$ following successful testing after conversion.

In the INFO menu, set parameter $LOC = \text{YES}$ to inhibit all functions of the button. To resume normal operation of keypad, adjust setting so that $LOC = \text{NO}$.

Configuration of Parameters

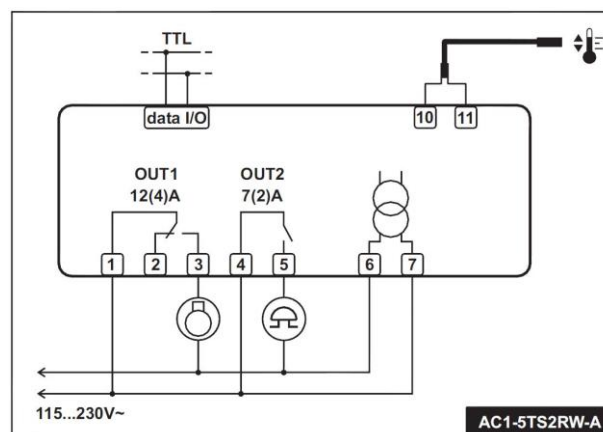
- To get access to the parameter configuration menu, press P + i for 5 seconds
- With button \blacktriangle or \blacktriangledown select the parameter to be modified
- Press button i and hold briefly to display the value. On releasing the button the controller will then show the next parameter
- By keeping button i pressed, use button \blacktriangle or \blacktriangledown to set the desired value. On releasing the button the controller will store the amended value and then show the next parameter
- To exit from the setup, press button P or wait for 30 seconds

AC1-5T Parameter Settings for PTPRR11T

| Parameter | Value |
|-----------|-------|
| SCL | 2 |
| SPL | 32 |
| SPH | 32 |
| 1SP | 32 |
| 1CM | HY |
| 1CH | HEA |
| 1HY | +2 |
| 1T0 | 0 |
| 1T1 | 0 |
| 1PF | OFF |
| OAU | THR |
| 2SM | ABS |
| 2SP | 2 |

| | |
|-----|-----|
| 2CH | REF |
| 2HY | 2 |
| 2T0 | 2 |
| 2T1 | 0 |
| 2PF | ON |
| ATM | NON |
| ATD | 90 |
| SB | NO |
| INP | SN4 |
| OS1 | 0 |
| TLD | 5 |
| SIM | 3 |
| ADR | 1 |

Controller Wiring Diagram



Connect heater to OUT1 and refrigeration to OUT2

For further information on this conversion or the parameters please contact the Technical Department on telephone number 01553 780400 or support@foster-uk.com. Service and Operation manuals for the controllers can be found on www.foster-spares.com under the relevant cabinet model.